

YONG YUAN VALVE

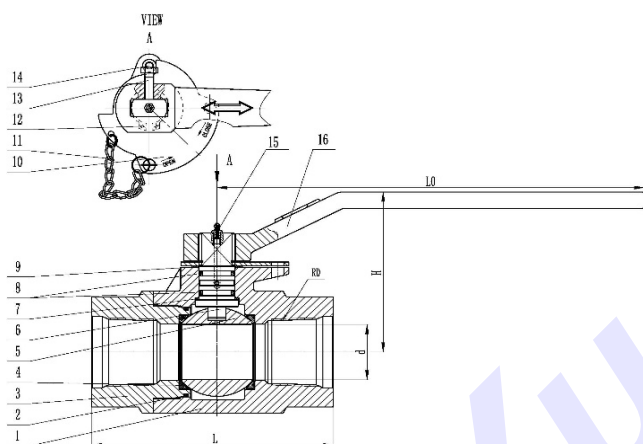
8RD BALL VALVE

YBAS/YBAC-8RD SERIES



FEATURES:

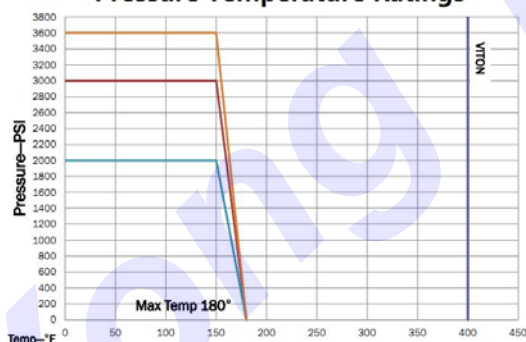
- 2000 3000 3600 W.O.G. FULL PORT
- STAINLESS STEEL/CARBON STEEL BODY
- BLOW OUT PROOF STEM
- DELRIN SEAT
- INSPECTION AND TEST: API 598
- THREADS CONFORM TO API 5B
- NACE MR-01-75



Parts & Materials

No.	Part	Material	
1	BODY	ASTM A351 CF8M	ASTM A216 WCB
2	BODY SEAL	VITON	VITON
3	ADAPTER	ASTM A351 CF8M	ASTM A216 WCB
4	SEATS	DELRIN	DELRIN
5	BALL	ASTM A182 F316	SS420
6	STEM	ASTM A276 316	ASTM A276 420
7	STEM BEARING	PTFE	PTFE
8	STEM SEAL	VITON	VITON
9	THRUST BEARING	PTFE	PTFE
10	STOP PLATE	STAINLESS STEEL PLATE	CS+Ni
11	PIN WITH CHAIN	STAINLESS STEEL	STAINLESS STEEL
12	RETAINER RING	STAINLESS STEEL	SPRING STEEL
13	HEXAGON HEAD BOLTS	STAINLESS STEEL	CARBON STEEL
14	STOP SCREW	STAINLESS STEEL	CARBON STEEL
15	GREASE ZERK	CARBON STEEL	CARBON STEEL
16	HANDLE	DUCTILE IRON	DUCTILE IRON

Pressure Temperature Ratings



Dimensions(in)

Size	Part#	PORT	Pressure	L	H	d	NPT	L0	Weight (lbs)	TORQUE (in-lb)
2-3/8"	YBAS238L36F	FP	3600	8.50	5.90	2.07	2-3/8 8RD	15.0	29.54	2035
2-7/8"	YBAS278L36F	FP	3600	9.50	6.35	2.56	2-7/8 8RD	15.0	45.75	3200

*Torque at Full Rated Pressure

TEL:0086-579-8715288
E-mail:cnyvc@cnyvc.com

0086-579-8725688
yu@cnyvc.com

FAX:0086-579-87151442
HTTP:www.oil-fieldvalve.com