

YONG YUAN VALVE

FLANGED END BALL VALVE

YFBF CLASS 600LB SERIES

Features:

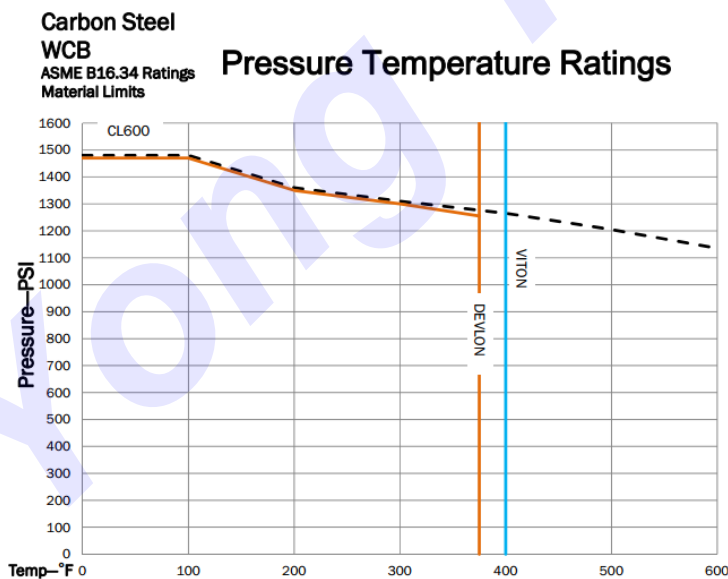
- WCB Body and Adapter
- Anti blowout proof stem design
- Valves Designed to API 6D
- Valves meet ASME B16.34 B16.10 B16.5 and BS5351
- Fire safe Certificate
- Locking Devices Standard for Lever or Gear Operated and Pneumatic Actuator Valves
- NACE MR0175
- Antistatic grounding between ball, stem and body
- 1"2"3"4" Lever Operated
- ISO 5211 Compatible Mounting Pads



Parts & Materials

SPECIFICATIONS		
NOMINAL PRESSURE	1480Psi	10.21 Mpa
SHELL STRENGTH (WATER)	2225 Psi	15.6 Mpa
SEALING TEST (WATER)	1630 Psi	11.5 Mpa
AIR SEAT PING (AIR)	80 Psi	0.55 Mpa

NO.	Description	Material
1	Body	ASTM A216 WCB
2	Stud	ASTM A193 B7M
3	Nut	ASTM A194 2HM
4	Adapter Cap	ASTM A216 WCB
5	Gasket.Body	SS304+Graphite
6	O-ring.Body	HNBR-90
7	Seat *	DEVLON
8	Ball *	SS316/A105+ENP
9	Stem *	SS316
10	Stem.gasket	PTFE
11	O-ring.Stem	HNBR-90
12	Antistatic spring	SS304
13	Antistatic steel ball	SS304
14	Gasket	PTFE
15	Grease Zerk	CS
16	Handle Screw	CS
17	Stop Screw	CS
18	Handle	Ductile Iron
19	Snap Ring	Spring Steel
20	Stop Plate	CS+Ni

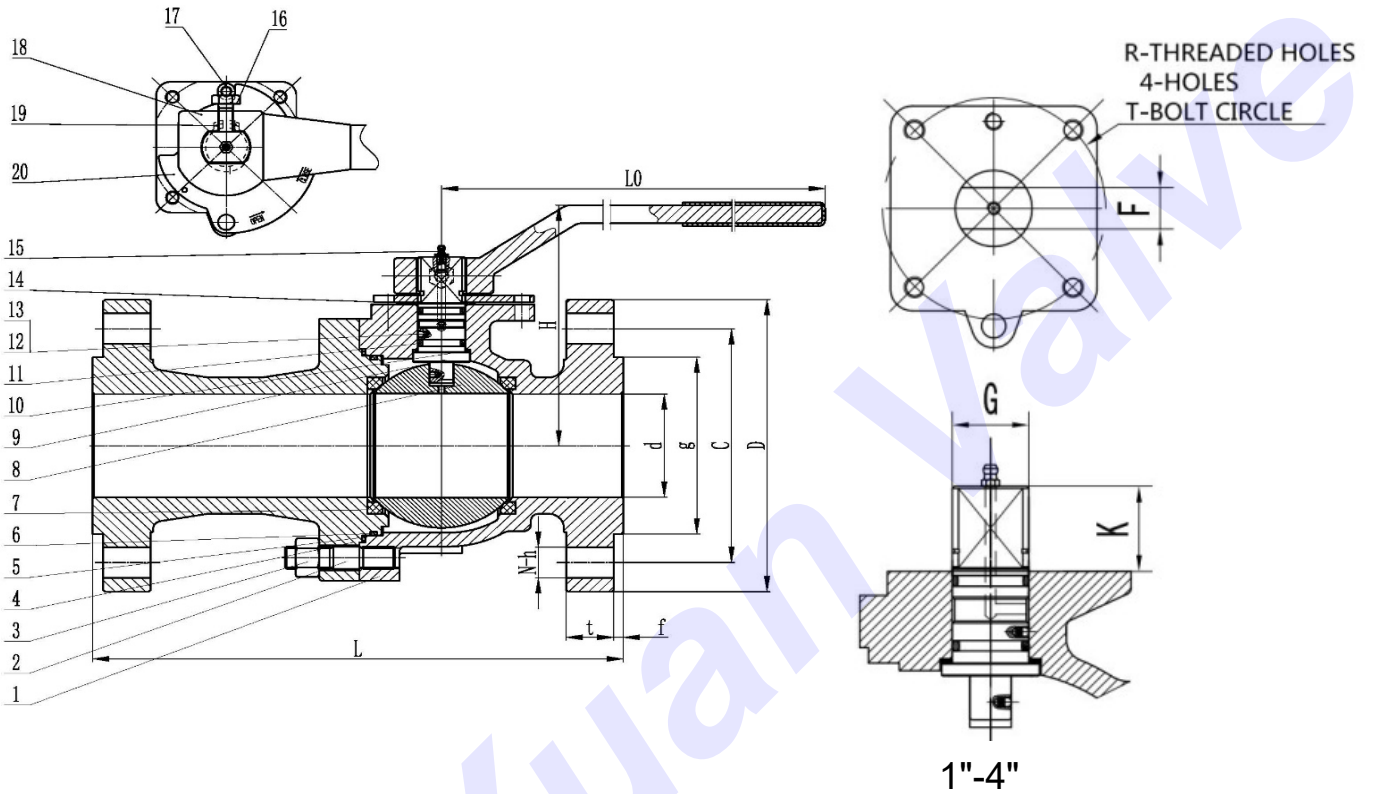


“*” Customer requirements

YONG YUAN VALVE

FLANGED END BALL VALVE

YFBF CLASS 600LB SERIES



Dimensions(in)

NPS	1"	2"	3"	4"
L	8.50	11.50	14.00	17.00
D	4.87	6.50	8.25	10.75
C	3.50	5.00	6.62	8.50
g	2.00	3.63	5.00	6.18
d	1.00	1.93	2.91	3.94
N	4	8	8	8
h	0.75	0.75	0.88	1.00
t	0.71	1.00	1.25	1.50
f	0.25	0.25	0.25	0.25
H	4.27	5.91	6.88	9.11
R	M6	1/4-20	3/8-16	3/8-16
T	1.800	1.969	4.016	4.016
G	0.630	0.866	1.244	1.374
F	0.370	0.551	0.866	0.945
K	0.945	0.984	1.339	1.555
L0	6.2	12.0	20.0	31.5
Torque (ft.lb)	25	100	180	240
Weight (Lbs)	16.0	44.3	87.0	158.7