

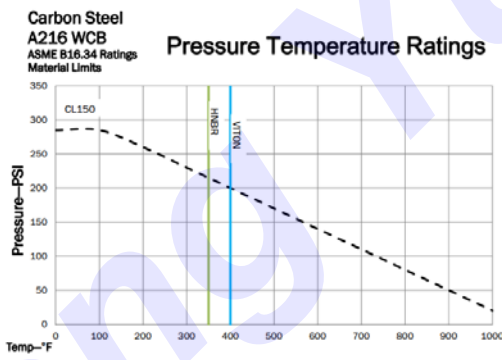
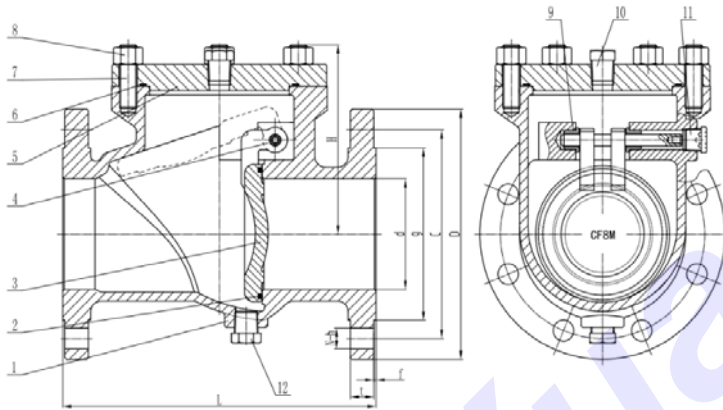
YONG YUAN VALVE

FLANGED CHECK VALVE

YFKB CLASS 150LB SERIES

Standard Features

- WCB Cast Body and AISI 1025 Adapter
- Integral or replaceable seat available
- Valves Designed to API 6D ASME B16.34 standard
- Valves Flanges ASME B16.5 standard
- 316SS disc standard
- Bolted bonnet with tap is standard
- NACE MR0175
- 6 in sserted pin spring type



Parts & Materials

| NO. | Description | Material |
|-----|------------------|-----------------|
| 1 | Body | ASTM A216 WCB |
| 2 | Seat | HNBR-90 |
| 3 | Disc | ASTM A351 CF8M |
| 4 | Valve disc shaft | ASTM A479 SS316 |
| 5 | Bonnet | ASTM A105 |
| 6 | Bonnet Seal | SS316+graphite |
| 7 | Stud | ASTM A193 B7M |
| 8 | Nut | ASTM A194 2HM |
| 9 | Bushing | ASTM A479 SS316 |
| 10 | Bonnet screw | ASTM A105 |
| 11 | plug | ASTM A105 |
| 12 | Drain screw | ASTM A105 |

SPECIFICATIONS

| | | |
|------------------------|----------|----------|
| NOMINAL PRESSURE | 285Psi | 2.0 Mpa |
| SHELL STRENGTH (WATER) | 450Psi | 3.0 Mpa |
| SEALING TEST (WATER) | 315 Psi | 2.2Mpa |
| AIR SEAT PING (AIR) | 80.8 Psi | 0.55 Mpa |

Dimensions(in)

| NPS | L | D | C | g | d | N | h | t | f | H | Weight (lbs) |
|-----|-------|-------|-------|-------|-------|----|------|------|------|-------|--------------|
| 2" | 8.00 | 6.00 | 4.75 | 3.63 | 1.94 | 4 | 0.75 | 0.69 | 0.06 | 4.96 | 30.86 |
| 3" | 9.50 | 7.50 | 6.00 | 5.00 | 2.94 | 4 | 0.75 | 0.88 | 0.06 | 5.98 | 48.68 |
| 4" | 11.50 | 9.00 | 7.50 | 6.18 | 3.94 | 8 | 0.75 | 0.88 | 0.06 | 6.89 | 72.66 |
| 6" | 14.00 | 11.00 | 9.50 | 8.50 | 5.94 | 8 | 0.88 | 0.94 | 0.06 | 7.22 | 112.59 |
| 8" | 19.50 | 13.50 | 11.75 | 10.62 | 7.94 | 8 | 0.88 | 1.06 | 0.06 | 9.31 | 227.08 |
| 10" | 24.50 | 16.00 | 14.25 | 12.75 | 9.94 | 12 | 1.00 | 1.12 | 0.06 | 10.71 | 365.53 |
| 12" | 27.50 | 19.00 | 17.00 | 15.00 | 11.94 | 12 | 1.00 | 1.19 | 0.06 | 12.91 | 553.94 |

TEL:0086-579-8715288
E-mail:cnyvc@cnyvc.com

0086-579-8725688
yu@cnyvc.com

FAX:0086-579-87151442
HTTP:www.oil-fieldvalve.com