

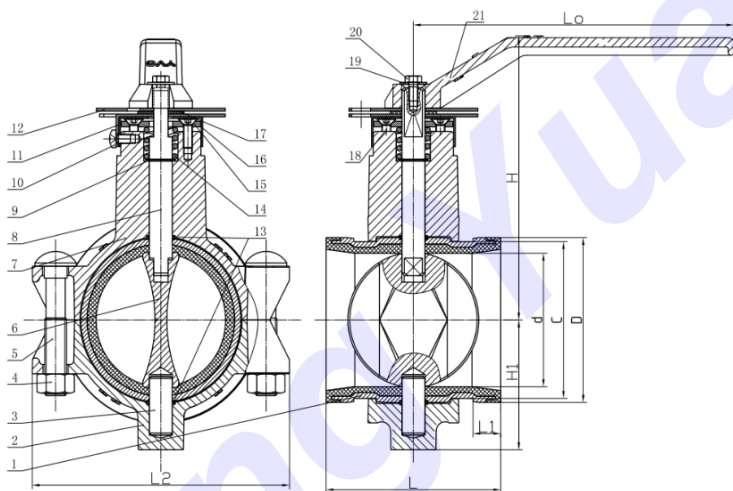
YONG YUAN VALVE

GROOVED END BUTTERFLY VALVE

YWG SERIES

Features:

- Butterfly valves are designed for bubble-tight shut-off to 200 psi
 - Body: Carbon steel
 - Housing: Ductile iron conforming to ASTM A395 grade 60-40-18, painted black.
 - Seat/Liner: Nitrile "T" grade. Temperature range -20°F to $+180^{\circ}\text{F}$ / -29°C to $+82^{\circ}\text{C}$.
- Recommended for petroleum products, air with oil vapors, vegetable and mineral oils within the specified temperature range.
- Not recommended for hot water services over $+150^{\circ}\text{F}$ / $+66^{\circ}\text{C}$ or for hot dry air over $+140^{\circ}\text{F}$ / $+60^{\circ}\text{C}$.
- Stem-Upper/Lower: stainless steel
 - Disc: stainless steel 316
 - Track Bolts/Nuts: Steel, Electroplated



Parts & Materials

No.	Part	Material
1	BODY	CS+NBR
2	Under The Clamp	ASTM A395 DI
3	Lower Stem	ASTM A276 420
4	Nuts	CS+Zn
5	Track Bolts	CS+Zn
6	Disc	ASTM A351 CF8M
7	Upper The Clamp	ASTM A395 DI
8	Upper Stem	ASTM A276 420
9	Retainer Ring	Spring Steel
10	Screw	CS+Zn
11	Locating Plate	CS+Ni
12	Lock Hole Plate	CS+Ni
13	O-Ring	NBR
14	Coil Spring	Spring Steel
15	Limit Snap-Gauge	CS+Zn
16	Safety Guard	CS+Zn
17	Spacer	PTFE
18	Screw	CS+Zn
19	Spacer	CS+Zn
20	Bolt	CS+Zn
21	Handle	Ductile Iron

Dimensions(in)

NPS	RART#	L	D	C	d	L1	L2	H	H1	L0	Weight (lbs)
2	YWG09B2	3.19	2.375	2.250	1.85	0.56	4.09	5.04	1.87	5.5	3.53
3	YWG11B2	3.81	3.500	3.344	2.81	0.60	5.63	6.03	2.76	7.0	7.28
4	YWG12B2	4.56	4.500	4.334	3.71	0.63	7.00	7.07	3.50	9.0	12.57
6	YWG14B2	5.81	6.626	6.455	5.43	0.63	9.65	9.28	4.43	12.0	31.26